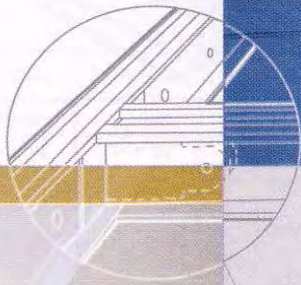
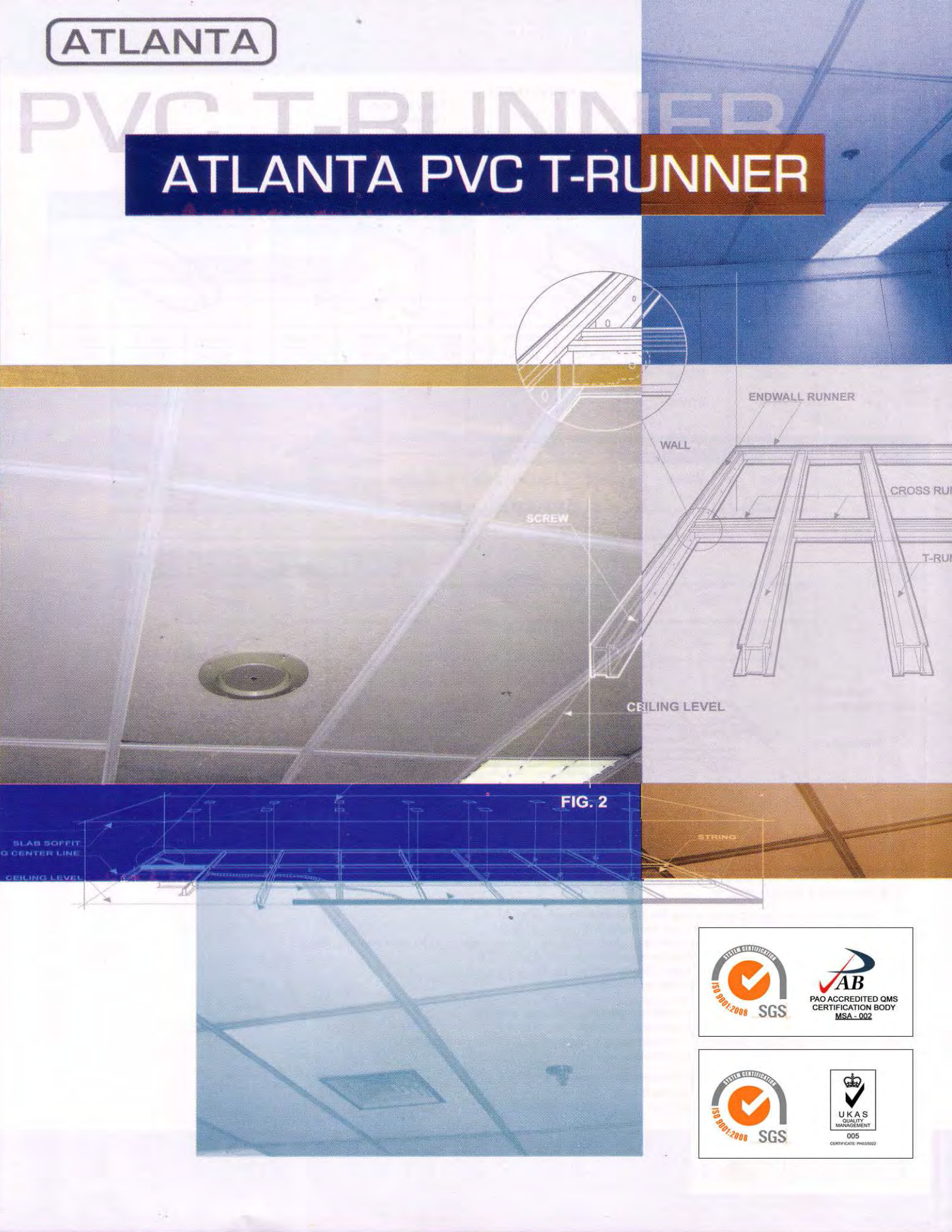


ATLANTA

PVC T-RUNNER

ATLANTA PVC T-RUNNER



ENDWALL RUNNER

WALL

SCREW

CROSS RUNNER

T-RUNNER

CEILING LEVEL

FIG. 2



ATLANTA PVC ACOUSTIC BOARD

APPLICATION : For interior use such as offices, residential, commercial buildings.

FEATURES : Smooth surface, Hollow core

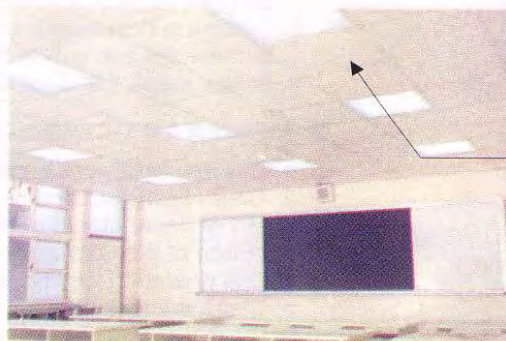
ADVANTAGES : No painting needed Waterproof
 Non-flammable Rot-free
 Warp-free Easy to install
 Impact resistant

SPECIFICATIONS

	WIDTH	LENGTH	THICKNESS	COLOR	FINISHES
	603 mm. (2')	603 mm. (2')	6 mm.	WHITE	PLAIN
				WHITE	PINK
				WHITE	BLUE
				WHITE	GRAY
603 mm. (2')	1206 mm. (4')	6 mm.	WHITE	PLAIN	

PHYSICAL PROPERTIES

ITEMS	TEST METHODS	UNIT	TEST VALUE
Specific Gravity	ASTM D792	-	1.57
Tensile Strength	ASTM D638	kg/cm ²	360
Elongation at Break	ASTM D638	%	7
Tensile Modulus of Elasticity	ASTM D638	kg/mm ²	112
IZOD Impact Strength	ASTM D256	kg-cm/cm ²	8.5
Heating Deflection Temperature	ASTM D648	°C	75
Flammability	CNS 7614	-	Flameproof degree 1
Volume Resistivity	ASTM D257	Ω - cm	2.8X10 ¹¹



ATLANTA PVC ACOUSTIC BOARD

REQUIRED DISTANCE

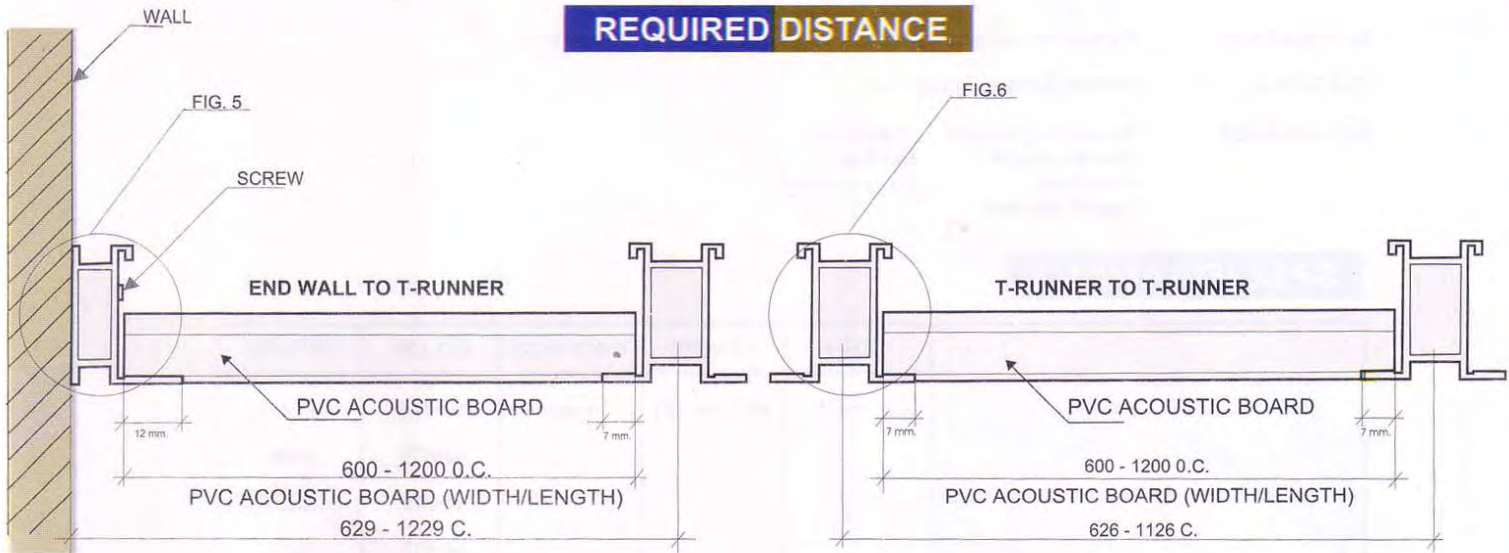


FIG. 3

FIG. 4

JOINTING PROCEDURE

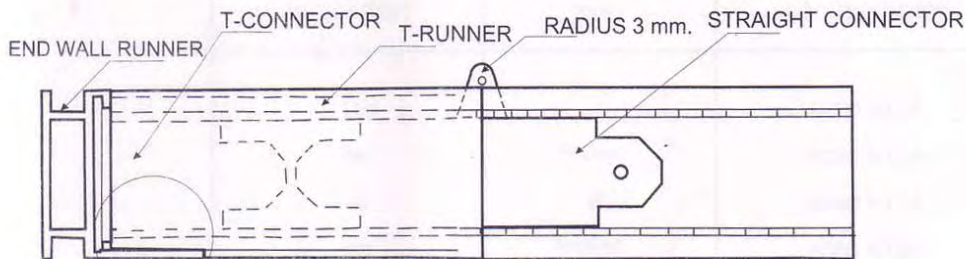


FIG. 5 CUT-OUT PORTION : 12 mm.

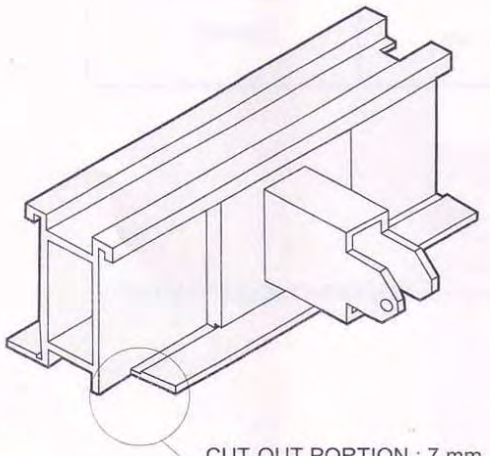


FIG. 6

CUT-OUT PORTION : 7 mm.

A. RUNNER TO RUNNER (STRAIGHT CONNECTOR) (Fig. 5)

1. Cut runner square and plumb.
2. Clean newly cut end of runner.
3. Dry fit connector into runner, mark the position of locking button of connector on both face of runner.
4. Drill hole into the previously marked locking button position on both surface of runner.
5. Clean the hole then insert the connector until the locking button - fits into button hole.
6. Follow steps 1 to 5 for succeeding joints.

B. RUNNER TO T-CONNECTOR (Fig. 6)

1. Cut runner square and plumb at desired length.
2. Clean newly cut end of runner.
3. Dry fit connector into runner, mark the position of locking button of the connector on both face of runner.
4. Drill hole unto locking button position on both face of runner.
5. Clean the locking button hole, then insert the connector until the locking button fits into button hole.

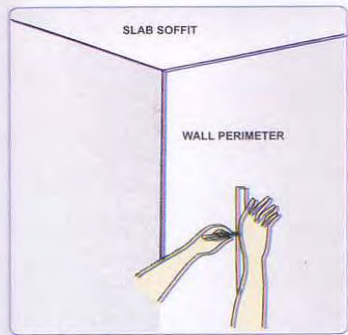


FIG. A

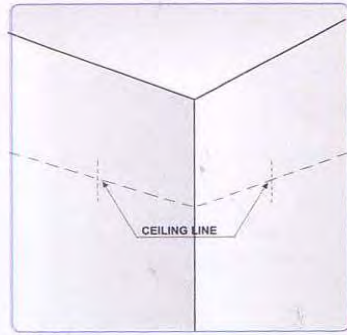


FIG. B

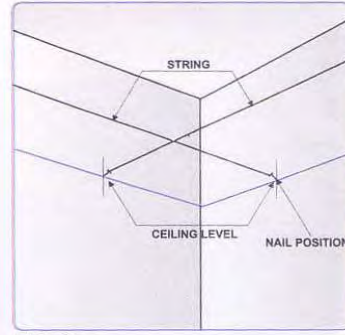


FIG. C

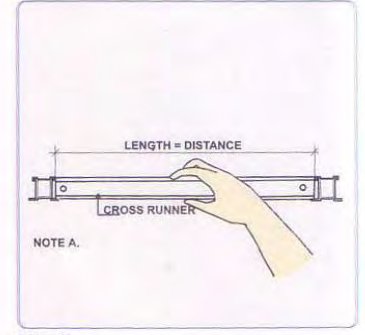


FIG. D

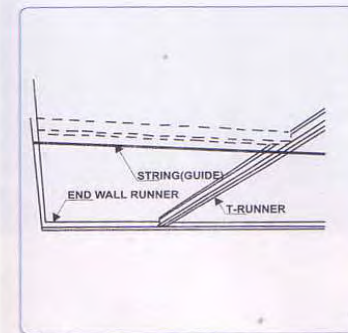


FIG. E

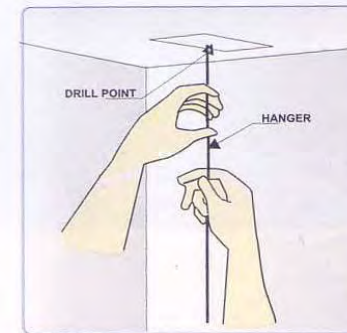


FIG. F

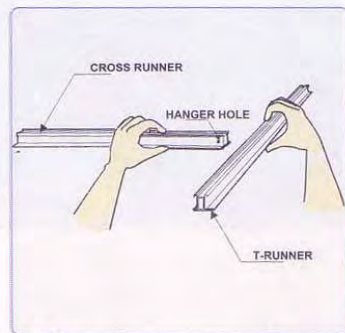


FIG. G

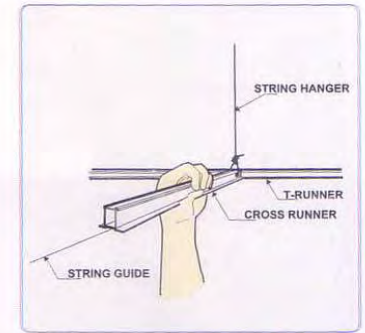


FIG. H

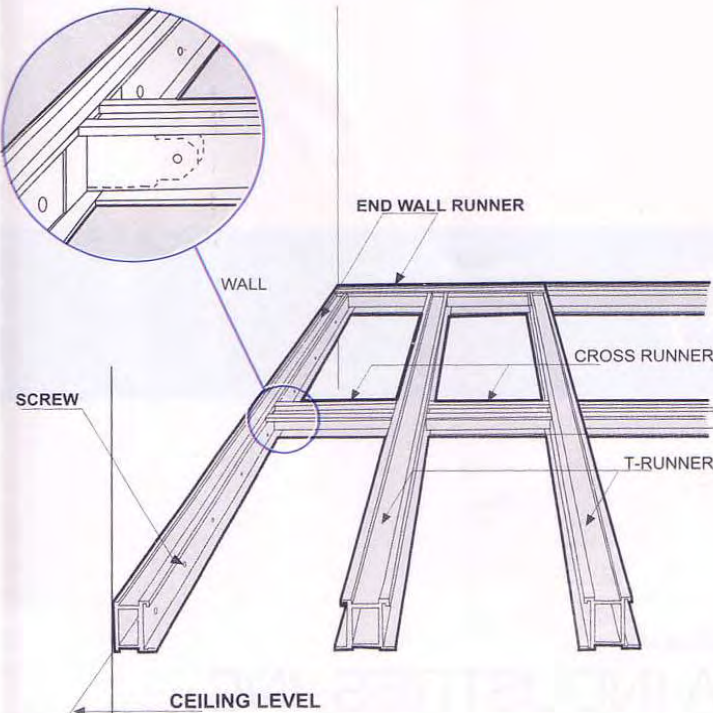


FIG. 2

2. CROSS RUNNER LAYOUT (Fig. 2)

- 2.1. Using the string and the t-runner previously set as a guide, mark out on wall/t-runners the distance of the cross runners.
- 2.2. Set cross runner into t-connector previously set. (see layout 4)
- 2.3. Repeat step 2.1 to 2.2 for the succeeding cross runners.

3. END WALL RUNNER LAYOUT

- 3.1. Set end wall runner on the wall, mark screw position at every .60 meters o.c., drill and screw end wall runner on the wall.
- 3.2. Mark the position of t-connectors along the length of end wall runners.
- 3.3. Set t-connectors as described in layout 4.

4. T-CONNECTORS LAYOUT

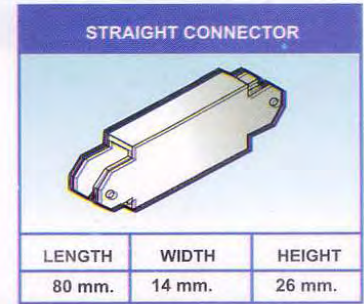
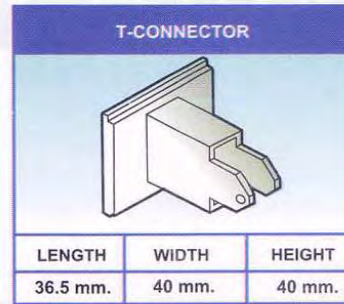
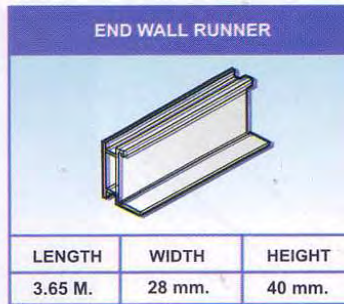
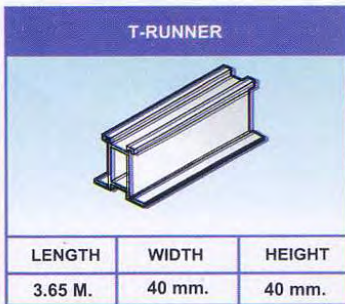
- 4.1 Set the upper and lower lips of the t-connectors into the upper and lower grooves of t-runner or end wall runners.
- 4.2 Adjust and fix the position of t-connectors at previously marked t/cross runner distance. (See fig. 2, 5 and 6)

ATLANTA PVC T-RUNNER

APPLICATION : Ceiling t-runner system

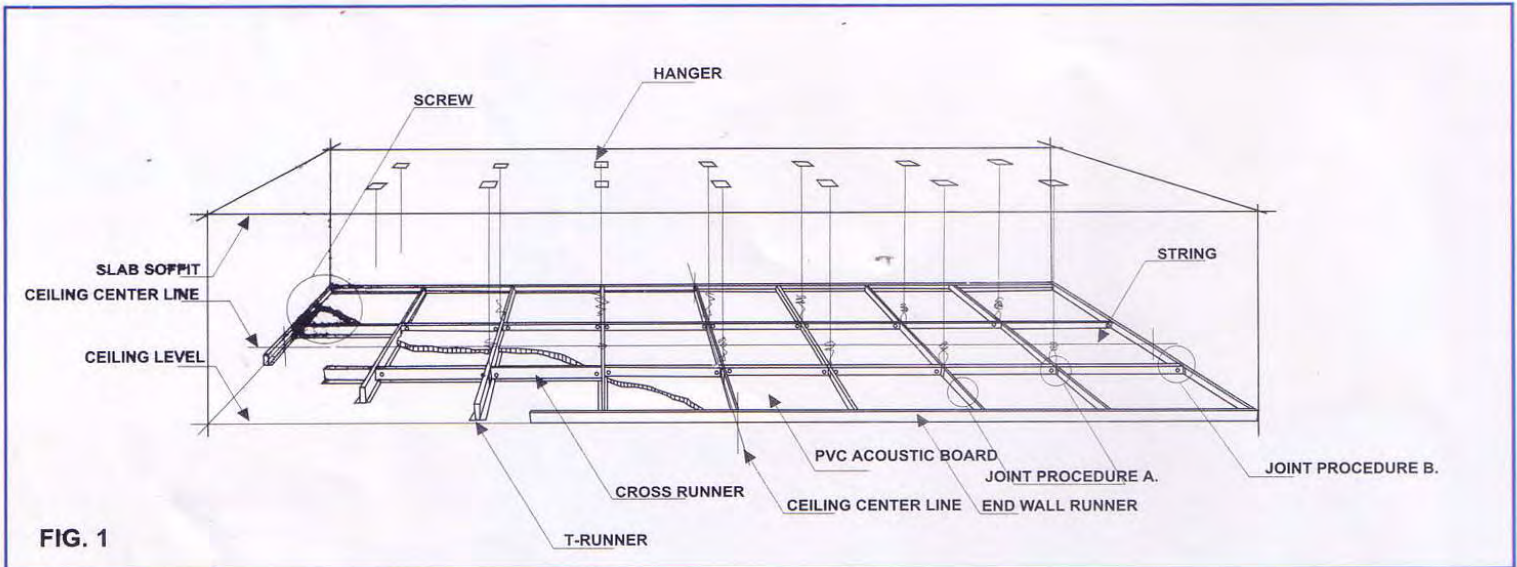
ADVANTAGES : Easy to install
Easy to repair
Durable and elegant
Lightweight

FEATURES : Snap on locking system
Groove design
Clip type connectors



T-RUNNER INSTALLATION PROCEDURE

GENERAL LAYOUT



1. T-RUNNER LAYOUT (Fig. 1)

- 1.1. Mark the finished ceiling level along the perimeter of wall. (Fig. A)
 - 1.2. Mark the ceiling center lines/point on the walls both ways. (Fig. B)
 - 1.3. Drive nails on ceiling center lines/point and stretch a string between each nail to form a cross. (Fig C)
 - 1.4. Determine the position of PVC Acoustic Board. (See note A) (Fig. D)
 - 1.5. Set T-runner along the shortest span. (See note B) (Fig. E)
 - 1.6. Determine the hanger position on slab soffit and t-runner.
 - 1.7. Set hanger into slab soffit. (Fig. F)
 - 1.8. Drill hanger holes into runners then set hangers into t-runner. (Fig. G)
 - 1.9. Check alignment of runner-make necessary adjustments. (Fig. H)
 - 1.10. Determine the position/distance of succeeding t-runners. (See note A) (Fig. D)
- Follow steps 1.4 to 1.9 for succeeding runners.

NOTE: A. You can use cross runner to determine spacing of t-runners.

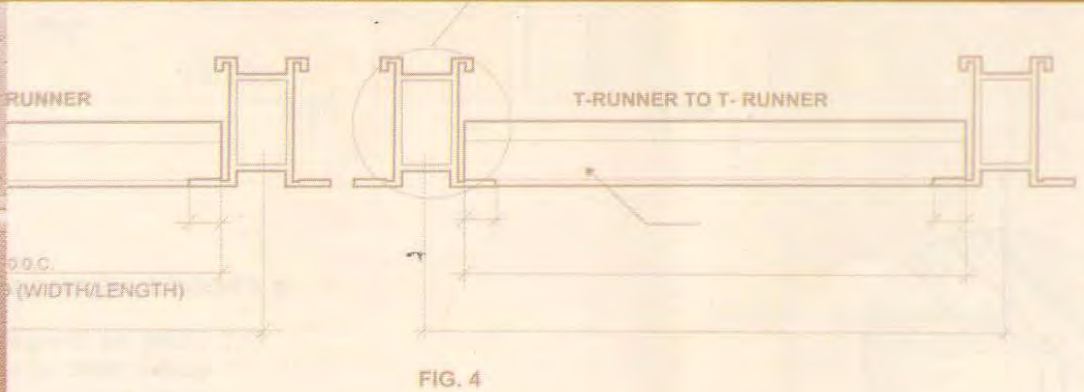
B. Layout t-runners along the shortest span.

C. In ceiling layout, always start from the center.

ATLANTA PVC T-RUNNER



FIG. 5



ATLANTA



Another quality product of:

ATLANTA INDUSTRIES, INC.

G/F Goldhill Tower, No. 5 Annapolis St., Greenhills, San Juan, M. M.
Tel. nos.: 723-0781 to 96 / 744-4700 to 05 Fax nos.: 722-8705 / 723-9576
Website: <http://www.atlanta.ph> E-mail: atlanta@netasia.net